



Features:

- ▶ User programmable trip level and timer delay
- ▶ DIN Rail/ Flush mounting
- ▶ CT available in various sizes
- ▶ Compliance with IEC 947-1



Advantages:

- ▶ DIN Rail/Flush Mounted
- ▶ Protects human life
- ▶ Continuous Fault current detection
- ▶ No nuisance trips

Applications:

- ▶ Generator Control Panel
- ▶ Distribution Control Panel
- ▶ Protection Control Panel

Input Specification

Status Normally de-energised
 Reset Manual

Output Specifications

Relay Output Single pole change over
 24V DC 5A
 240V AC 5A
 Relay Contacts 1 potential free contact (NO, C & NC)/
 2 C/O Optional (energise on trip)
 Contact Rating 6A/230V AC/28V DC

Functional Specifications

Earth Fault current Via CT
 (10% to 100% of I_n)
 Power ON Delay Approx. 1 sec
 Trip Time Delay 0.1 sec to 10 sec
 Voltage Rating 90-270V AC/DC
 Current CT Secondary (I_n 1A/5A)
 Overload x2 continuously, x10 for 3 sec as per BS6253
 Burden 3VA max.

Supply Specifications

Supply Voltage 90-270 VAC/DC ($\pm 15\%$)
 Supply Frequency 50/60 Hz
 Power Consumption 3VA max.

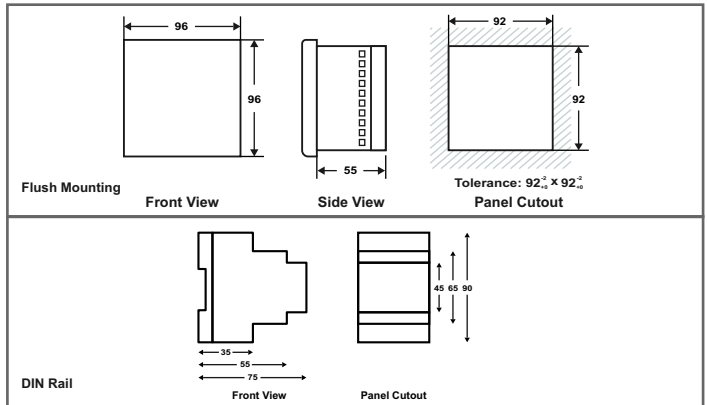
Environmental Specification

Operating Temperature -10°C to 70°C
 Storage Temperature -20°C to 50°C
 Humidity $< 95\%$ RH

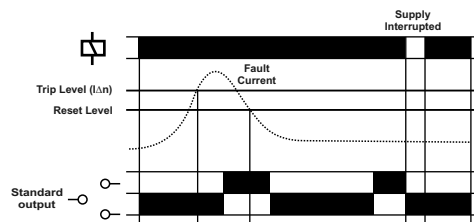
Mechanical Specification

Weight 228 g
 Dimensions 45x90x75mm /96x96x55 mm (WxHxD)
 Mounting DIN Rail (35mm)/ Flush Mounting with side clamps
 Enclosure ABS Thermoplastic

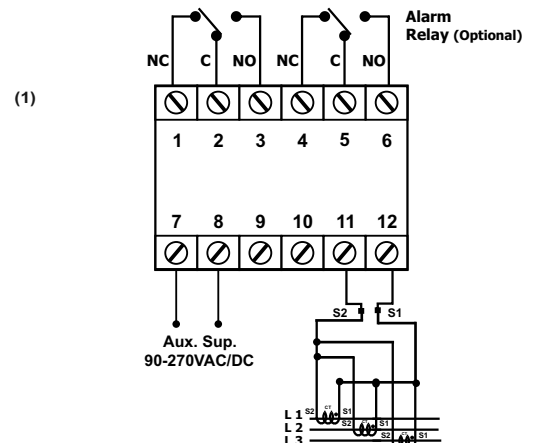
Dimension



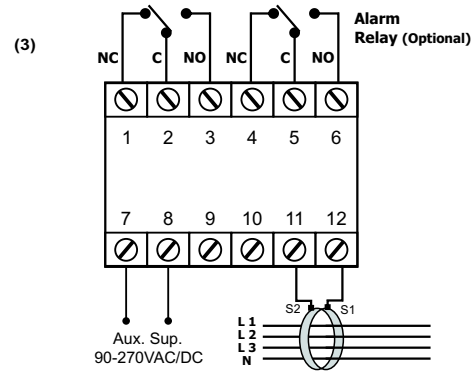
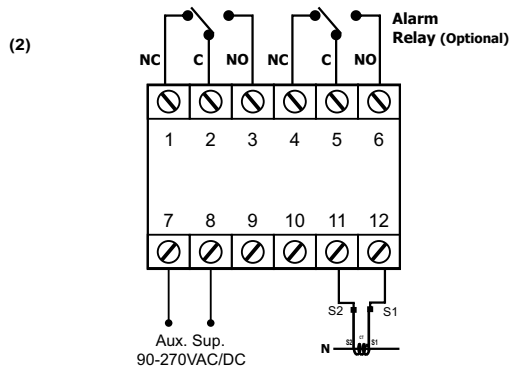
Functional Diagram



Connection Diagram



Connection Diagram



Ordering Information

Ordering Code	Current Rating	Description
VIPS 98-5A-DIN	0.5-5 A	DIN rail EFR 5A
VIPS 98-1A-DIN	0.1-1 A	DIN Rail EFR 1 A
VIPS 98-5A-FLU	0.5-5 A	Door mount EFR 5 A
VIPS 98-1A-FLU	0.1-1 A	Door Mount EFR 1 A